

## Data sheet

### Connection line M12 plug straight - RJ45 plug straight 8-pole, X-coded 1.0 m

Page 1/5

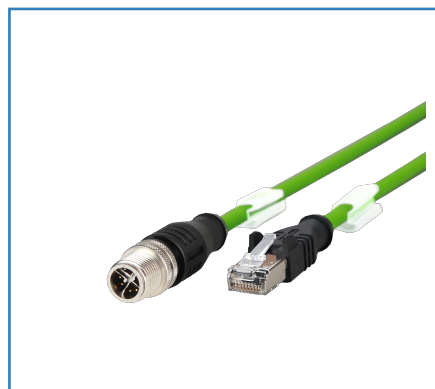
P/N

142M2X15010

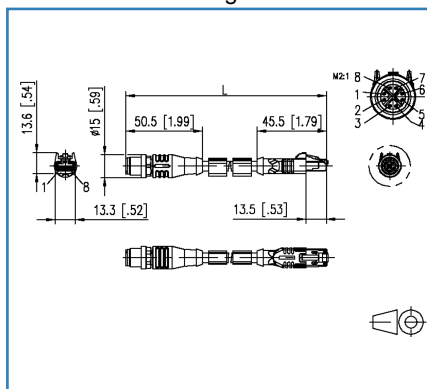
EAN 4250184158394

2017-10-10

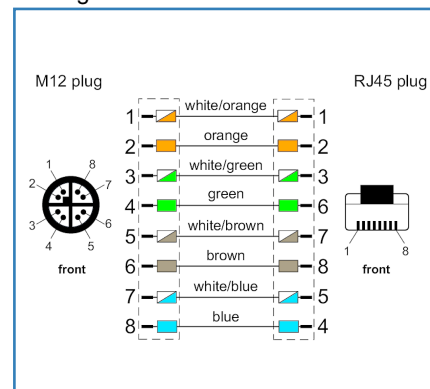
## Illustrations



Dimensional drawing



Wiring



See enlarged drawings at the end of document

## Product specification

- shielded M12-plug to RJ45-plug connection line
- Cat.6, 8-pole
- M12-connector, X-coded, straight to RJ45-plug
- connectors over molded
- stranded wires 4x2xAWG26/7 PiMF
- pin assignment per T568B
- overall shield tinned copper braid
- green cable, PUR
- standard variants: 1.0 m, 2.0 m, 5.0 m, 10.0 m
- other cable lengths on request

## Data sheet

Page 2/5

# Connection line M12 plug straight - RJ45 plug straight 8-pole, X-coded 1.0 m

P/N

142M2X15010

EAN 4250184158394

2017-10-10

## Technical Data

### General Data

|                                     |  |
|-------------------------------------|--|
| Fields of application               | Industrial Ethernet  |
| Design                              | Ethernet-Connection line   |
| Shielding                           | shielded   |
| Transmission technology             | Copper   |
| Cable Type                          | S/FTP  |
| Number of twisting elements         | 4  |
| Twisting element                    | Pair   |
| Wiring                              | T568B  |
| Color coding fiber/ wire(s)         | white/orange, orange, white/green, green, white/brown, brown, white/blue, blue |
| Color                               | green  |
| Dimensions                          |  |
| Dimension - Interface 1 (L x W x H) | 50.50 x 15.00 x 15.00 mm   |
| Dimension - Interface 1 (L x W x H) | 1.988 x 0.591 x 0.591 in.  |
| Dimension - Interface 2 (L x W x H) | 45.50 x 13.30 x 13.60 mm   |
| Dimension - Interface 2 (L x W x H) | 1.791 x 0.524 x 0.535 in.  |
| Cable length (m)                    | 0.50 m   |
| Cable length (ft)                   | 0.02 ft  |
| Labeling option                     | identification label carrier   |

### Transmission characteristics

|  |              |
|--|--------------|
| Category (ISO)                                 | 6            |
| Transmission rate up to 1 GBit (Fast Ethernet) | IEEE 802.3ab |

### Connections/interfaces

|  |           |
|--|-----------|
| Connector technology interface 1         | RJ45 plug |
| Connector technology interface 2         | M12-plug  |
| Coding interface 2                       | X-coded   |
| Number of positions/contacts interface 1 | 8P/8C     |
| Number of positions/contacts interface 2 | 8         |

## Connection line M12 plug straight - RJ45 plug straight 8-pole, X-coded 1.0 m

P/N

142M2X15010

EAN 4250184158394

2017-10-10

### Technical Data

#### Connections/interfaces

Termination data, stranded wire (min. - max.)

|   |                       |
|---|-----------------------|
| Conductor cross section, stranded wire          | AWG 26/7              |
| Conductor cross section, stranded wire          | 0.141 mm <sup>2</sup> |
| Conductor diameter, stranded wire (bare copper) | 0.483 mm              |
| Conductor diameter, stranded wire (bare copper) | 0.019 in.             |
| Cable sheath diameter (min. - max.)             |                       |
| Cable sheath diameter                           | 6.40 mm               |
| Cable sheath diameter                           | 0.236 in.             |

#### Electrical characteristics

|                       |               |
|-----------------------|---------------|
| Through resistance    | max. 5 mOhm   |
| Insulation resistance | min. 100 MOhm |

#### Mechanical characteristics

|                             |            |
|-----------------------------|------------|
| Bending radius without load | min. 64 mm |
|-----------------------------|------------|

#### Materials and material properties

|   |                          |
|---|--------------------------|
| Material - Conductor                    | Cu (copper)              |
| Material - Cable jacket                 | PUR                      |
| Material - Plug housing interface 1     | PVC (polyvinyl chloride) |
| Material - Body interface 2             | Plastics                 |
| Material - Contact interface 1          | CuSn (tin bronze)        |
| Material - Contact interface 2          | CuZn (brass)             |
| Material - Contact finish interface 2   | Au (gold)                |
| Material - Contact carriers interface 2 | Plastics                 |
| Material - Union nut interface 2        | CuZn (brass)             |
| Material - Union nut finish interface 2 | Ni (nickel)              |
| Material - Shield interface 1           | CuSn (tin bronze)        |
| Material - Main shield                  | Cu (copper) braid        |
| Material - Main shield finish           | Sn (tin)                 |
| Flame retardancy                        | yes                      |



## Data sheet

Page 4/5

# Connection line M12 plug straight - RJ45 plug straight 8-pole, X-coded 1.0 m

P/N

142M2X15010

EAN 4250184158394

2017-10-10

## Technical Data

### Environmental conditions

|                                      |                      |
|--------------------------------------|----------------------|
| Temperature (min. - max.)            |                      |
| Temperature - Storage °C             | -20 - 75 °C          |
| Temperature - Storage °F             | -4 - 167 °F          |
| Temperature - Operating °C           | -20 - 75 °C          |
| Temperature - Operating °F           | -4 - 167 °F          |
| Particulate ingress interface 1      | IP2X                 |
| Liquid ingress/immersion interface 1 | IPX0                 |
| Particulate ingress interface 2      | IP6X when plugged in |
| Liquid ingress/immersion interface 2 | IPX7 when plugged in |
| Pollution degree interface 1         | 1                    |
| Pollution degree interface 2         | 3/2                  |

### Approvals

|      |           |
|------|-----------|
| RoHS | compliant |
|------|-----------|

### The product meets the following standards

|  |                                  |
|--|----------------------------------|
| Generic cabling systems  |                                  |
| General requirements   | ISO/IEC 11801-1   DIN EN 50173-1 |
| Multi-element metallic cables used in analogue and digital communication and control | DIN EN 50288-4-1                 |
| Test for vertical flame propagation for a single insulated wire or cable             | DIN EN 60332-1-2                 |
| Measurement of smoke density of cables burning                                       | DIN EN 61034                     |

### Classifications

|          |          |
|----------|----------|
| ETIM 5.0 | EC002599 |
| ETIM 6.0 | EC002599 |

### Packing details

|                                 |                       |
|---------------------------------|-----------------------|
| Type of packaging               | 1 pc(s) / plastic bag |
| Packaging unit - Weight (gram)  | 120.00 g              |
| Packaging unit - Weight (pound) | 0.26 lb               |

**Connection line M12 plug straight - RJ45 plug straight  
8-pole, X-coded 1.0 m**

P/N

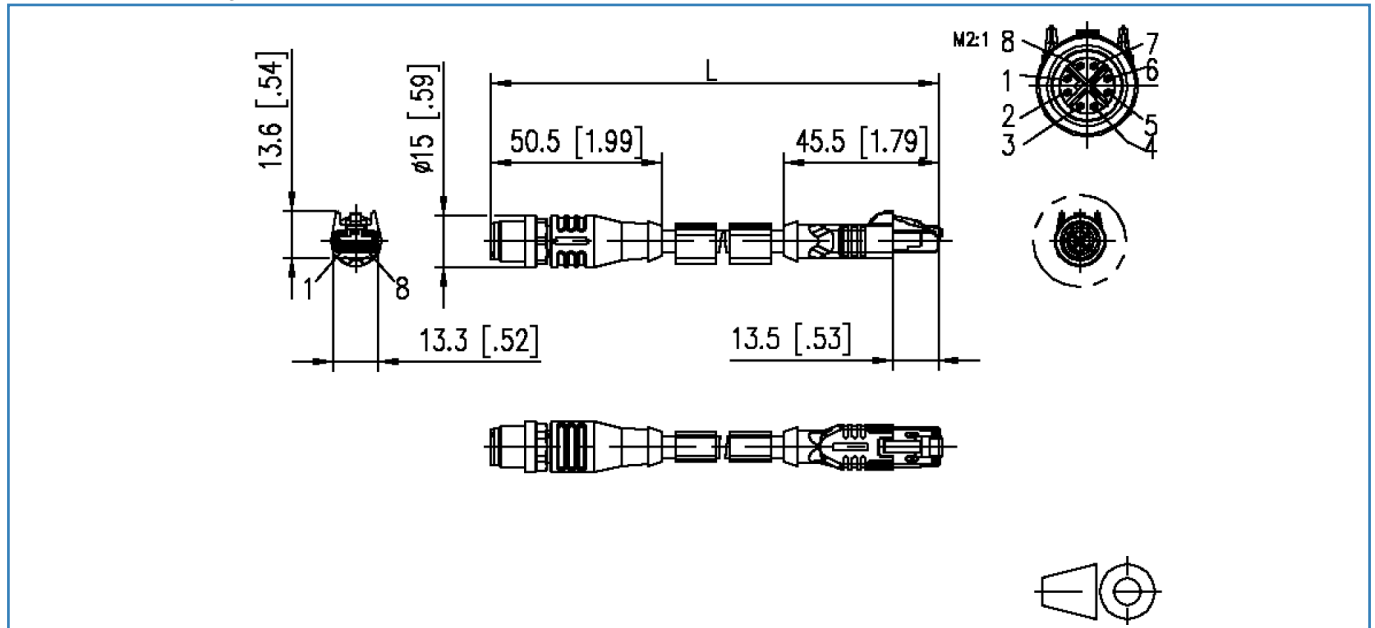
142M2X15010

EAN 4250184158394

2017-10-10

**Illustrations**

Dimensional drawing



Wiring

