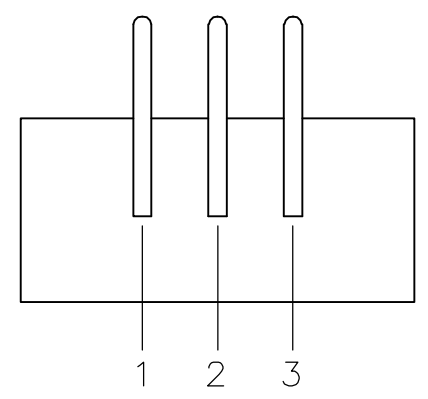
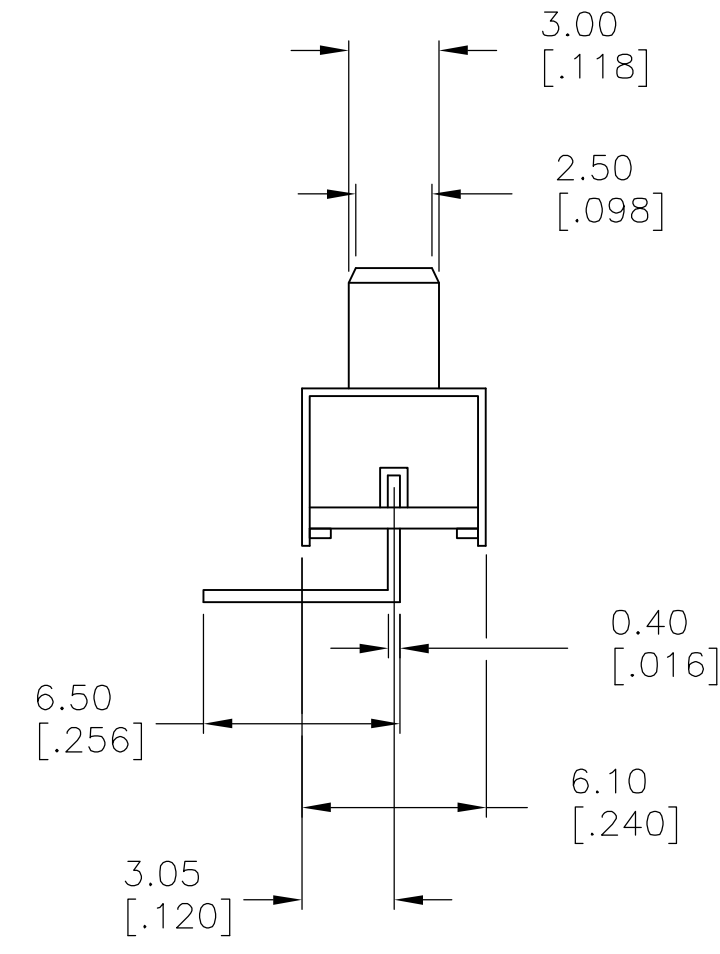
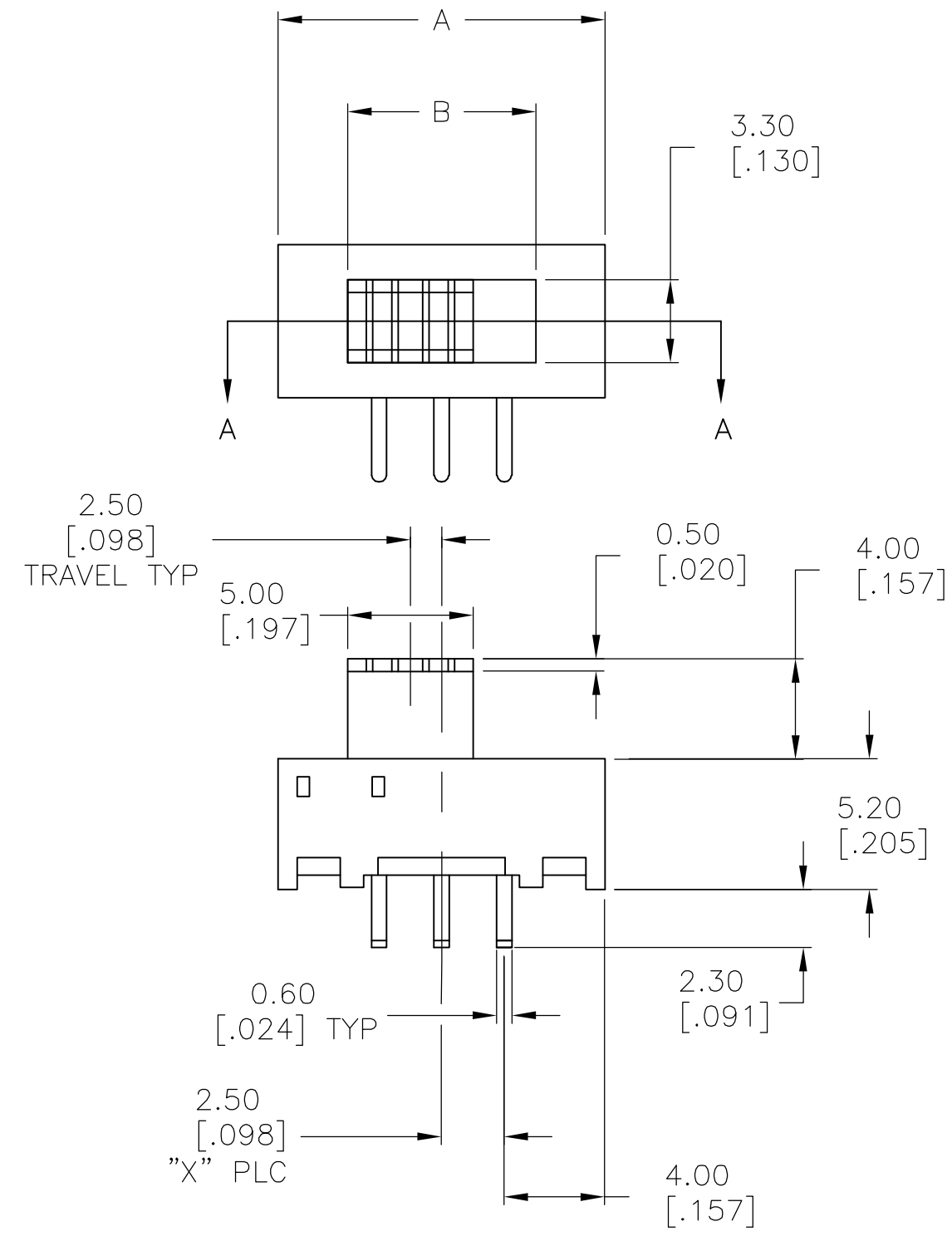
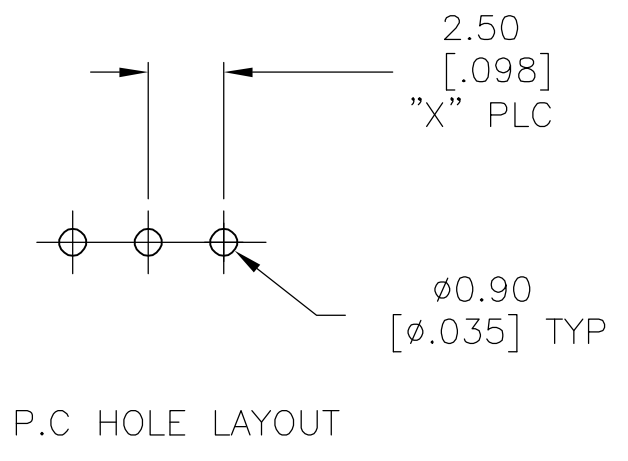


THIS DRAWING IS UNPUBLISHED. RELEASED FOR PUBLICATION
 © COPYRIGHT BY TYCO ELECTRONICS CORPORATION. ALL RIGHTS RESERVED.

Loc		DIST		REVISIONS			
AD	00	P	LTR	DESCRIPTION	DATE	DWN	APVD
		A1		ECO-06-029077	05FEB2007	RB	MS



1825160-1 AS SHOWN



SPECIFICATIONS:
 MAKE-BEFORE-BREAK

MATERIALS:
 FRAME: STEEL, ZINC PLATE
 ACTUATOR: POM UL94HB, BLACK
 FIXED CONTACT/TERMINAL: COPPER ALLOY,
 SILVER OVER NICKEL PLATE
 MOVING CONTACT: COPPER ALLOY, SILVER CLAD
 COIL SPRING: TEMPERED STEEL WIRE
 BALL- TEMPERED CARBON STEEL
 TERMINAL BOARD: PHENOLIC, UL94HB
 TERMINAL SEAL: PHENOLIC RESIN

ELECTRICAL:
 CONTACT RATING: 250 MILLIAMPS@125V AC
 CONTACT RESISTANCE: 30 MILLIOHMS MAX (INITIAL),
 60 MILLIOHMS AFTER TEST
 INSULATION RESISTANCE: 500 MEGOHMS MIN AT 500V DC
 DIELECTRIC STRENGTH: 500 VAC RMS AT SEA LEVEL
 LIFE EXPECTANCY: 10,000 CYCLES MIN. NO LOAD

MECHANICAL:
 ACTUATION FORCE: 250 +150/-100 GRAMS
 TRAVEL: 2.49 (.098)

ENVIRONMENTAL:
 OPERATING TEMPERATURE: -10 TO +60 DEGREES C
 STORAGE TEMPERATURE: -10 TO +60 DEGREES C
 RESISTANCE TO SOLDER HEAT: 260 C FOR 10 SEC PER 109-202,
 COND. B
 SOLDERABILITY: PER EIA-364-56A, PROCEDURE 3, COND. B

- NOTES:
1. ALL MATERIALS AND FINISHES SHALL COMPLY WITH EU DIRECTIVE 2002/95/EC OF 27JAN2003 (ROHS)
 2. SEE SHEET 2 FOR FUNCTION DIAGRAM
 3. ALL PERFORMANCE SPECIFICATIONS WERE TESTED IN ACCORDANCE WITH JIS-C-5441 UNLESS OTHERWISE STATED.

6	17.50[.689]	23.01[.906]	SP6T	STS161RA04	1825160-5
5	15.01[.591]	20.50[.807]	SP5T	STS151RA04	1825160-4
4	12.50[.492]	18.01[.709]	SP4T	STS141RA04	1825160-3
3	10.01[.394]	15.50[.610]	SP3T	STS131RA04	1825160-2
2	7.49[.295]	13.00[.512]	SPDT	STS121RA04	1825160-1
X PLC	DIM B	DIM A	FUNCTION	T&B PART NUMBER	TYCO PART NUMBER

THIS DRAWING IS A CONTROLLED DOCUMENT.		DWN B.S.VISWESWARA 16MAR05	Tyco Electronics Corporation 's-Hertogenbosch,5222AR-32	
DIMENSIONS: mm [INCHES]		CHK M.S.SARVER	NAME	
TOLERANCES UNLESS OTHERWISE SPECIFIED:		APVD -	PRODUCT SPEC	
0 PLC ± - 1 PLC ± - 2 PLC ± 0.20 [.008] 3 PLC ± - 4 PLC ± - ANGLES ± - FINISH -		APPLICATION SPEC	SLIDE SWITCH, STS121RA TO STS161RA SERIES	
MATERIAL -	FINISH -	WEIGHT -	SIZE A2	RESTRICTED TO -
CUSTOMER DRAWING		CAGE CODE 00779	DRAWING NO C=1825160	SCALE 4:1
		SHEET 1	OF 2	REV A1

1825160

A

THIS DRAWING IS UNPUBLISHED. RELEASED FOR PUBLICATION
 © COPYRIGHT BY TYCO ELECTRONICS CORPORATION. ALL RIGHTS RESERVED.

LOC		DIST		REVISIONS			
P	LTR	DESCRIPTION	DATE	DWN	APVD		
AD	00	SEE SHEET 1	-	-	-		

PART NUMBER

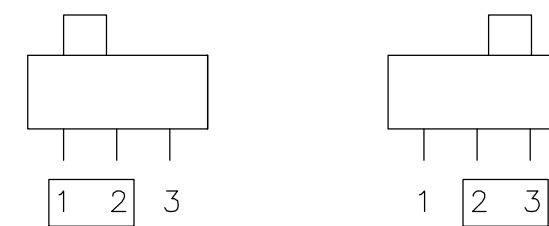
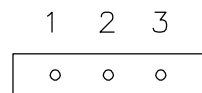
FUNCTION

BOTTOM VIEW

FUNCTION DIAGRAM

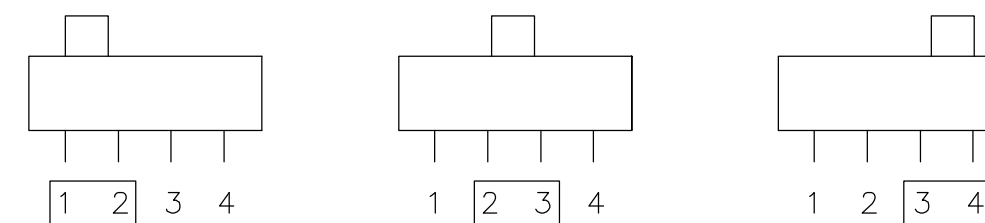
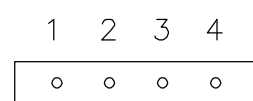
1825160-1

SPDT



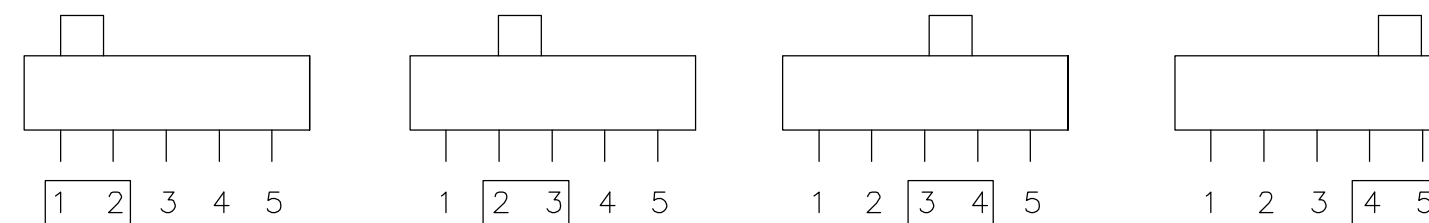
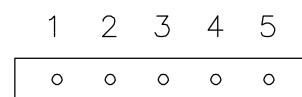
1825160-2

SP3T



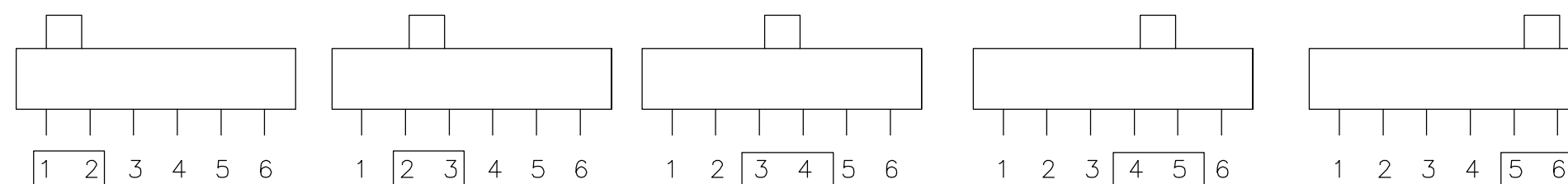
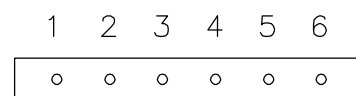
1825160-3

SP4T



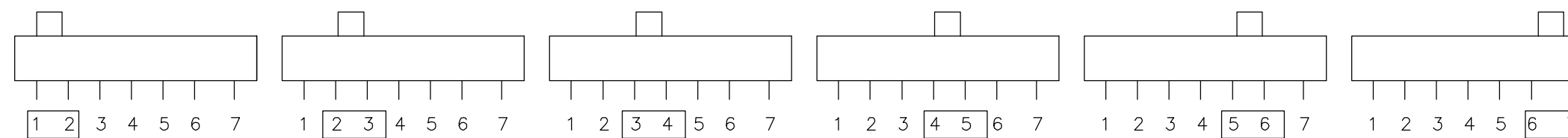
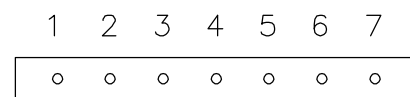
1825160-4

SP5T



1825160-5

SP6T



THIS DRAWING IS A CONTROLLED DOCUMENT.		DWN B.S.VISWESWARA	16MAR05	 Tyco Electronics Corporation 's-Hertogenbosch,5222AR-32
DIMENSIONS: mm [INCHES]		CHK M.S.SARVER	APVD -	
TOLERANCES UNLESS OTHERWISE SPECIFIED: 0 PLC ± - 1 PLC ± - 2 PLC ± 0.20 [.008] 3 PLC ± - 4 PLC ± - ANGLES ± - FINISH -		PRODUCT SPEC - APPLICATION SPEC - WEIGHT -		NAME SLIDE SWITCH, STS121RA TO STS161RA SERIES
MATERIAL -		SIZE A2		CAGE CODE 00779
		DRAWING NO C=1825160		RESTRICTED TO -
		SCALE 1:1		SHEET 2 OF 2
		CUSTOMER DRAWING		REV A1

1825160

A